



& ASSOCIATES, INCORPORATED  
PROFESSIONAL ENGINEERS & LAND SURVEYORS

102 Asma Boulevard  
Suite 305  
Lafayette, LA 70508

(337) 232-5182  
FAX (337) 237-7132

www.dsaengineering.com

February 23, 2021

TO ALL HOLDERS OF PLANS  
AND SPECIFICATIONS:

RE: Latiolais Street Road Reconstruction  
City of Breaux Bridge, Louisiana  
Addendum #1  
(DSA # 4878.02)

ATTENTION:

Attached is ADDENDUM NO. 1 for the subject project. Please include it in your set of specifications and consider it when making your bid.

Sincerely,

DOMINGUE, SZABO & ASSOCIATES, INC.

Beau Desormeaux, PE

RBD/  
Enclosure(s)

**ADDENDUM TO  
CONTRACT DOCUMENTS  
AND SPECIFICATIONS**

**LATIOLAIS STREET ROAD RECONSTRUCTION  
FOR THE CITY OF BREAUX BRIDGE, LOUISIANA  
(DSA No. 4878.02)**

---

**ADDENDUM NO. 1**

**February 23, 2021**

The following items shall take precedence over referenced to counterparts in the specifications, contract drawings and any other documents in conflict herewith.

- Item No. 1** As a **General Note**– The complete closure of Latiolais Road will be allowed during road reconstruction; therefore, one lane of traffic will not be required to remain open. Contractor will be responsible for providing temporary detour signage in accordance with the City of Breaux Bridge’s policies.
- Item No. 2** Refer to the Specifications and Contract Documents, Section 00820 – Special Conditions, Article 23; **As a Note of Emphasis:** Builders Risk Insurance will not be required for this project.
- Item No. 3** Refer to the Contract Drawings, Sheet 2; **As a Note of Emphasis:** The existing pavement and base shall be removed and disposed off-site.
- Item No. 4** Refer to the Contract Drawings, Sheets 6 & 7; **REPLACE** sheets 6 & 7 with the attached sheets 6 REV 1 & 7 REV 1. These sheets have been revised to change the proposed cross drain culvert from an 84” x 56’ RCP to an 84” x 48’ RCPA. Inverts of the proposed cross drain have also been changed to match the inverts of the existing CMP. This change was made to avoid potential conflicts with existing utilities crossing under the proposed culvert.
- Item No. 5** Refer to the Contract Drawings, Sheets; **As a Note of Clarification:** The apparent Latiolais Street right-of-way is 80’ wide, rather than 40’ as indicated on the plans.
- Item No. 6** **PRIOR APPROVAL LIST:** The following manufacturers’ equipment may be considered for use on this project (they have received prior approval subject to the following):

The Engineer may allow minor deviations subject to the Engineer’s judgment as to whether such deviations would detract from the quality, reliability or function of the equipment. The equipment manufacturer shall be responsible for any and all redesign required to accommodate their equipment. All drawings and calculations detailing the deviations from the plans and specifications shall be submitted to the Engineer with the shop drawings for approval. Drawings must be in AutoCad 2000 or more recent format and must be stamped by an Engineer licensed in the State of Louisiana. Submit both hard copies and electronic copies for approval.

**Prior approval of other manufacturers’ equipment shall in no way relieve the Contractor of responsibility for submitting the specified shop drawings for**

approval or complying fully with ALL provisions of the specifications and drawings.

If prior approved equipment is used, the contractor shall, at his own expense, make any changes or additions in the structures, piping, electrical, etc. as necessary to accommodate the equipment. If engineering is required due to substitution of prior approved equipment, the contractor shall furnish and pay for all such engineering services. No qualifications or exceptions listed in prior approval submittals shall in any way alter or serve as substitute provisions relative to this contract.

<u>Section</u>	<u>Description of Items</u>	<u>Approved Mfr.</u>
02720	Revetment	Shoretec

Received by:

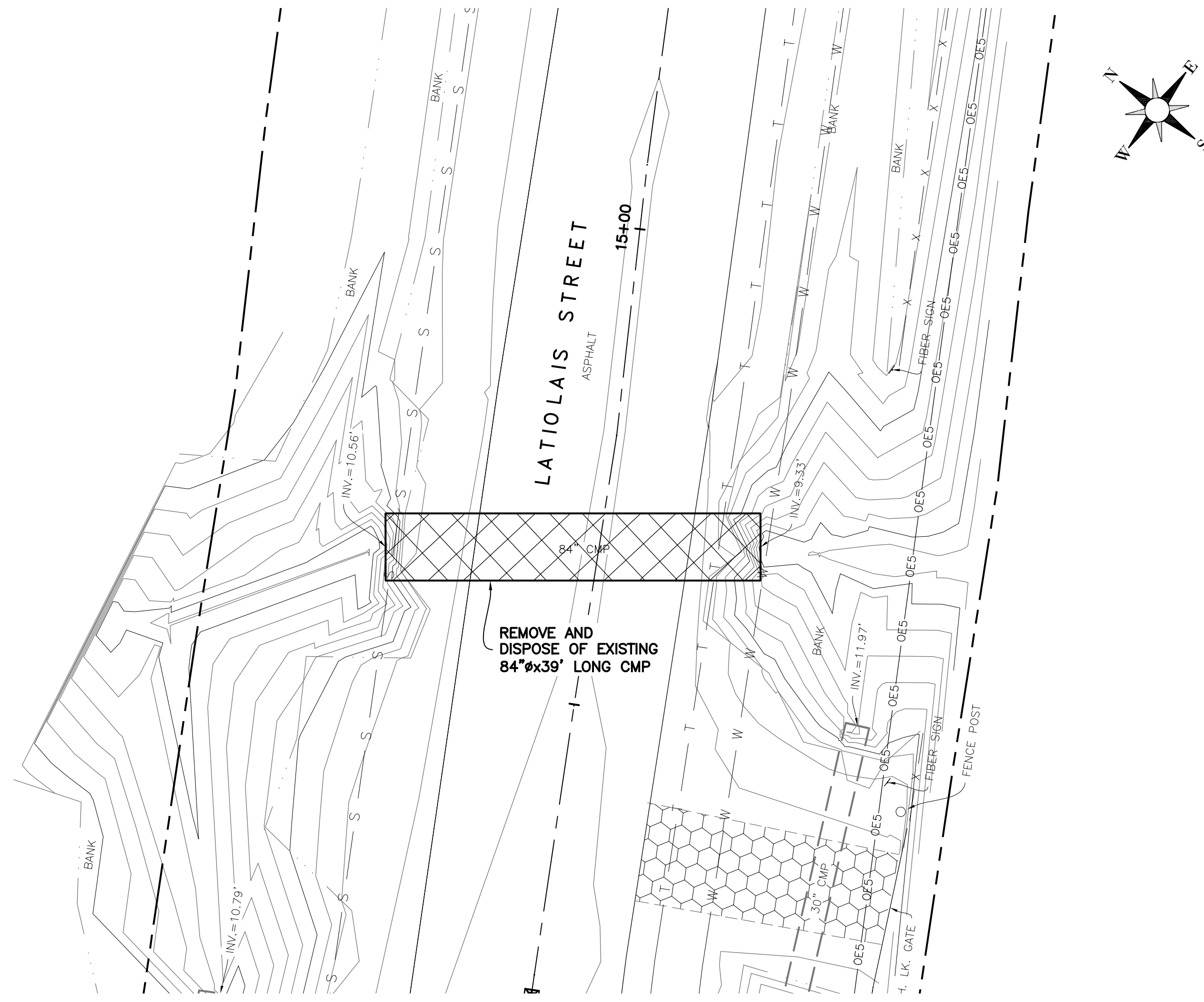
Signed: \_\_\_\_\_ Dated: \_\_\_\_\_

Company: \_\_\_\_\_

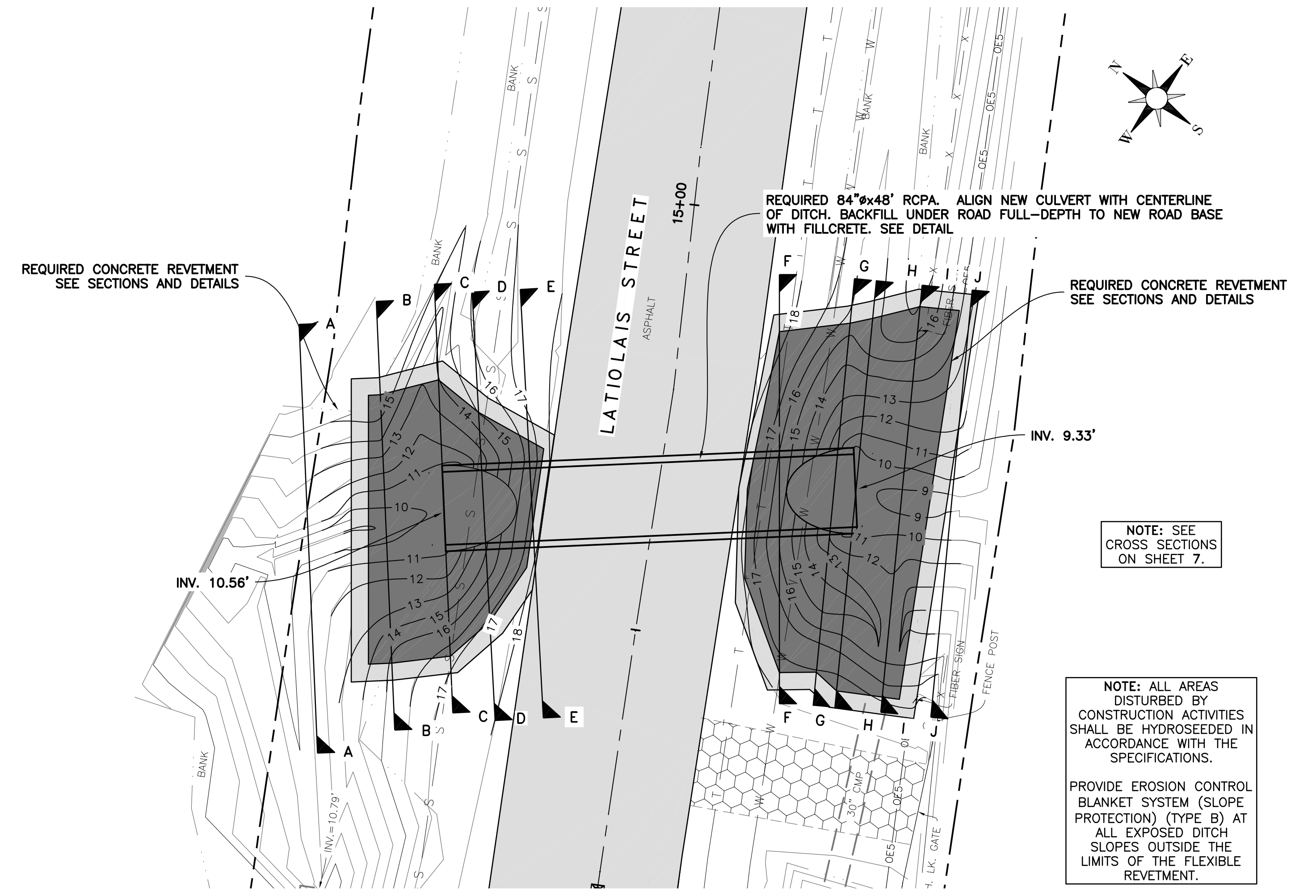
**FAX THIS SIGNED PAGE TO DOMINGUE, SZABO & ASSOCIATES, INC. AT 337-237-7132; OR RESPOND TO EMAIL ACKNOWLEDGING RECEIPT OF ADDENDUM**

End of Addendum No. 1

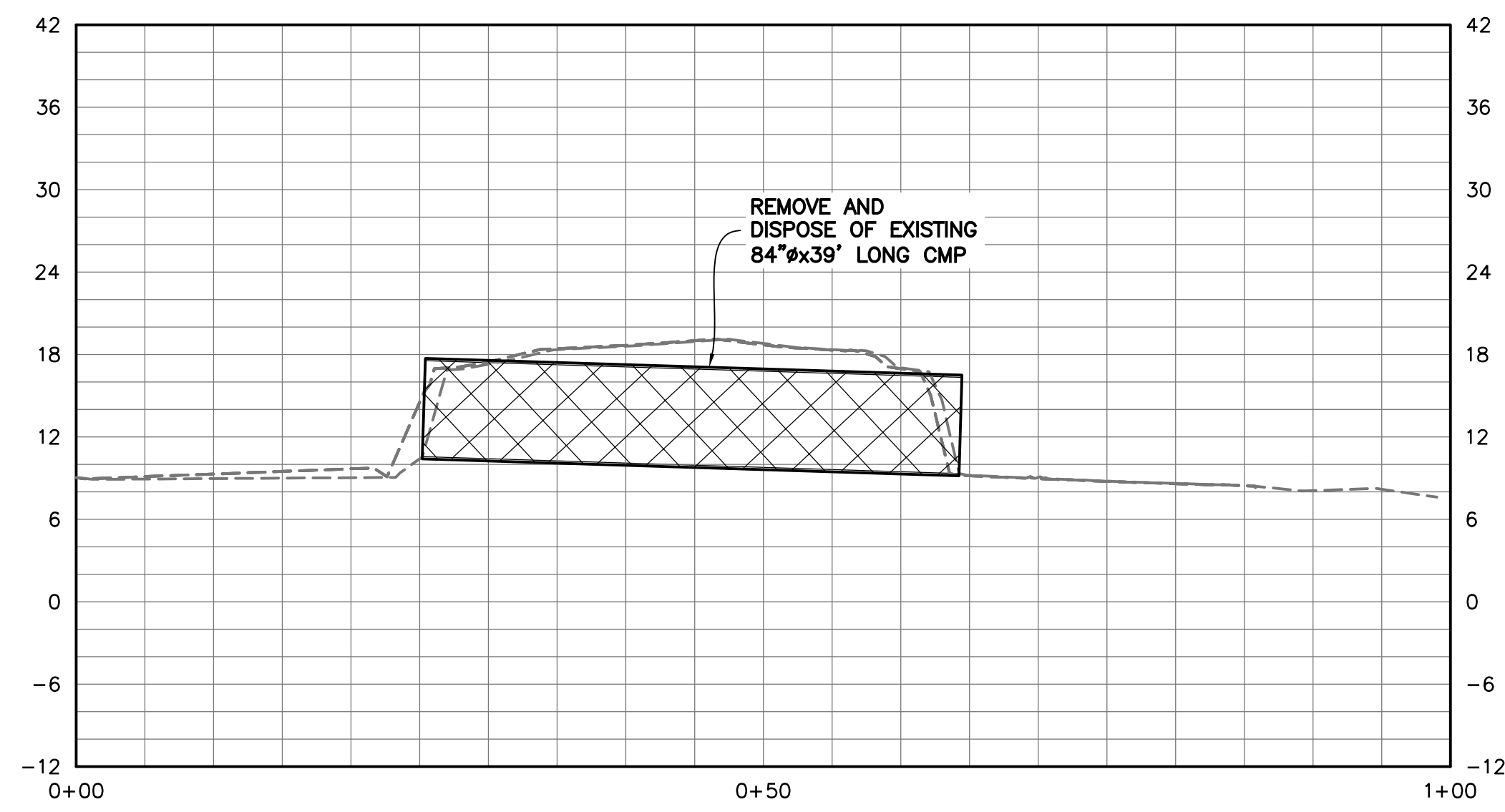




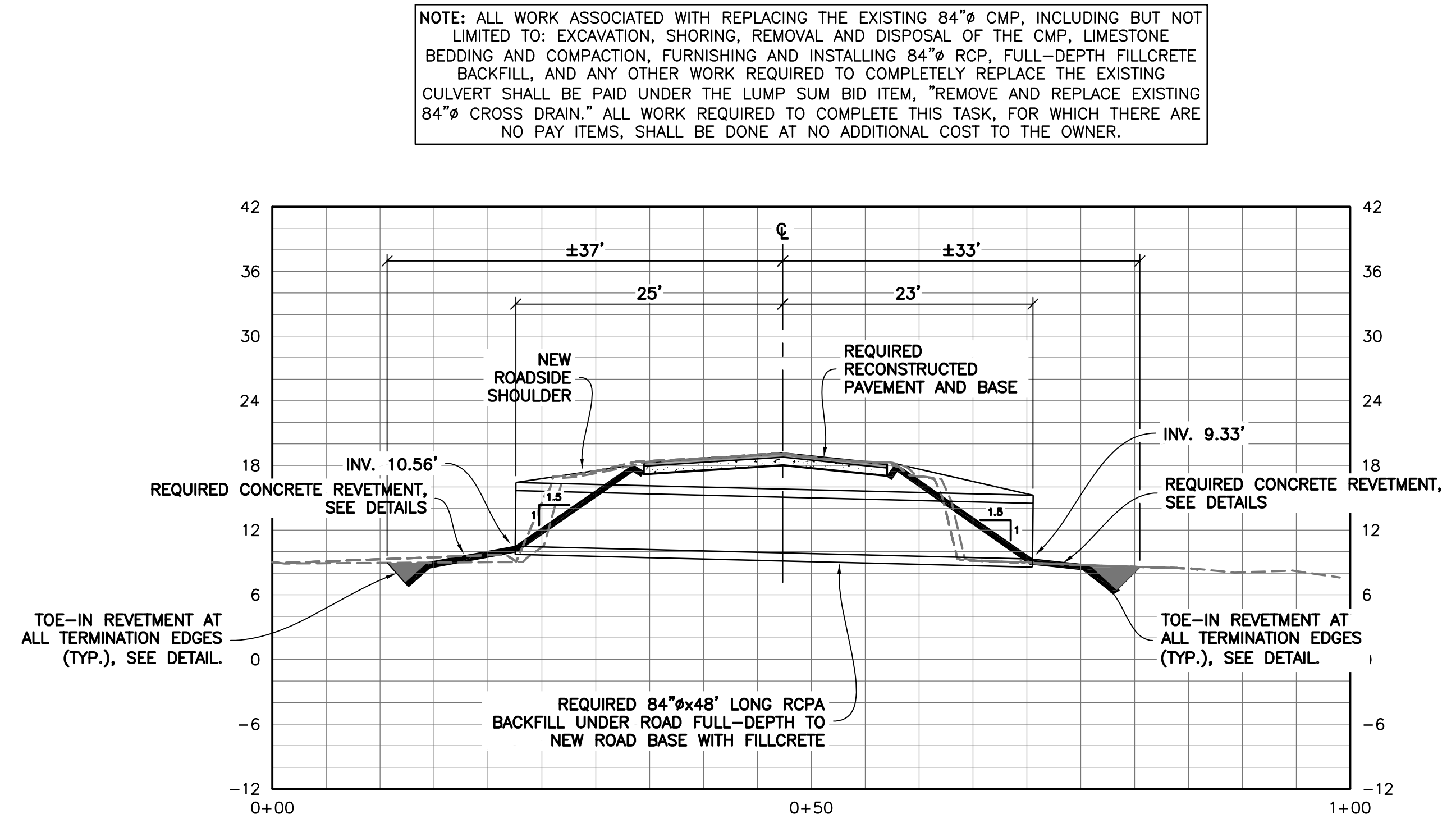
6a EXISTING PLAN: 84" CMP



6c PROPOSED PLAN: 84" RCPA



6b EXISTING PROFILE: 84" CMP



6d PROPOSED PROFILE: 84" RCPA

NOTE: ALL WORK ASSOCIATED WITH REPLACING THE EXISTING 84" CMP, INCLUDING BUT NOT LIMITED TO: EXCAVATION, SHORING, REMOVAL AND DISPOSAL OF THE CMP, LIMESTONE BEDDING AND COMPACTION, FURNISHING AND INSTALLING 84" RCP, FULL-DEPTH FILLCRETE BACKFILL, AND ANY OTHER WORK REQUIRED TO COMPLETELY REPLACE THE EXISTING CULVERT SHALL BE PAID UNDER THE LUMP SUM BID ITEM, "REMOVE AND REPLACE EXISTING 84" CROSS DRAIN." ALL WORK REQUIRED TO COMPLETE THIS TASK, FOR WHICH THERE ARE NO PAY ITEMS, SHALL BE DONE AT NO ADDITIONAL COST TO THE OWNER.

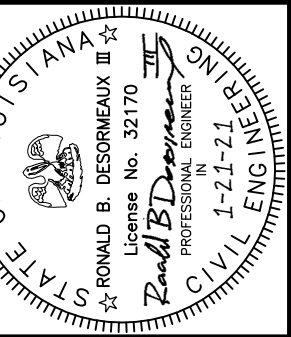
NOTE: SEE CROSS SECTIONS ON SHEET 7.

NOTE: ALL AREAS DISTURBED BY CONSTRUCTION ACTIVITIES SHALL BE HYDROSEDED IN ACCORDANCE WITH THE SPECIFICATIONS.  
 PROVIDE EROSION CONTROL BLANKET SYSTEM (SLOPE PROTECTION) (TYPE B) AT ALL EXPOSED DITCH SLOPES OUTSIDE THE LIMITS OF THE FLEXIBLE REVETMENT.

APPROVED FOR CONSTRUCTION

Designed	RBD
Drawn	BMH
Checked	RBD
Approved	RBD
Scale	1"=10'
File No.	4878.02-P-1
Sheet	6 REV 1

**DOMINGUE SZABO**  
 & ASSOCIATES, INCORPORATED  
 PROFESSIONAL ENGINEERS & LAND SURVEYORS  
 Lafayette, Louisiana

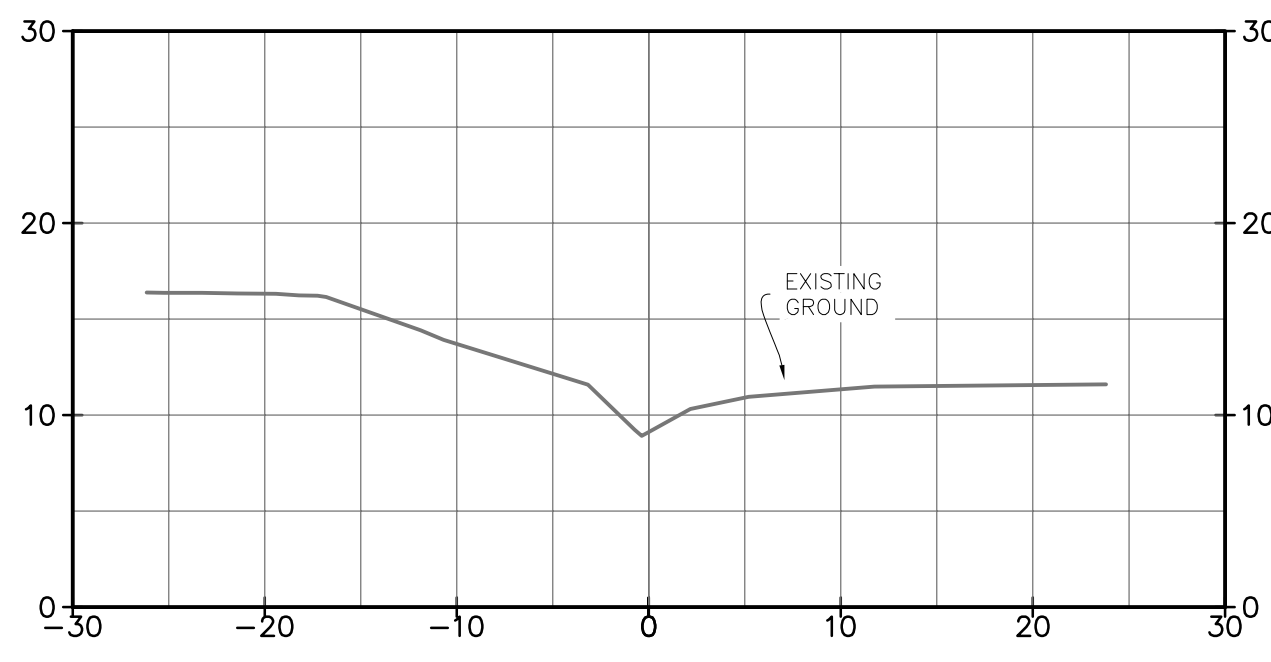


CITY OF BREAUX BRIDGE  
 LATIOLAIS STREET ROAD RECONSTRUCTION  
 CULVERT PLAN + PROFILE

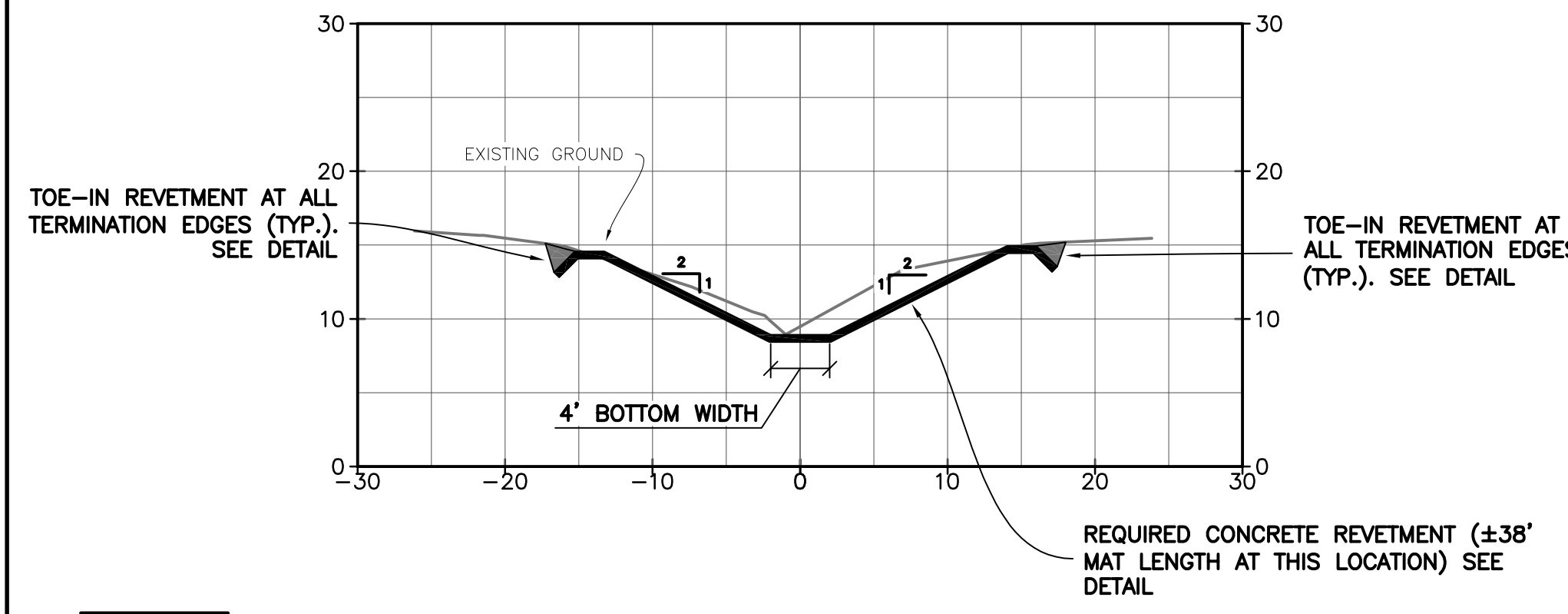
THIS DRAWING IS THE PROPERTY OF DOMINGUE SZABO & ASSOCIATES, INC. AND SHALL NOT BE USED FOR ANY OTHER PROJECT WITHOUT THE WRITTEN CONSENT OF DOMINGUE SZABO & ASSOCIATES, INC. ACCEPTS NO RESPONSIBILITY FOR THE USE AND/OR REFERENCE/ADOPTION OF THIS DRAWING OTHER THAN FOR ITS INTENDED PURPOSE. ALL RIGHTS RESERVED.  
 ©2021 DOMINGUE SZABO & ASSOCIATES, INC.

No.	Date	By
1	2/23/21	RBD
Addendum 1 - Change culvert to RCPA		BY
REVISIONS		

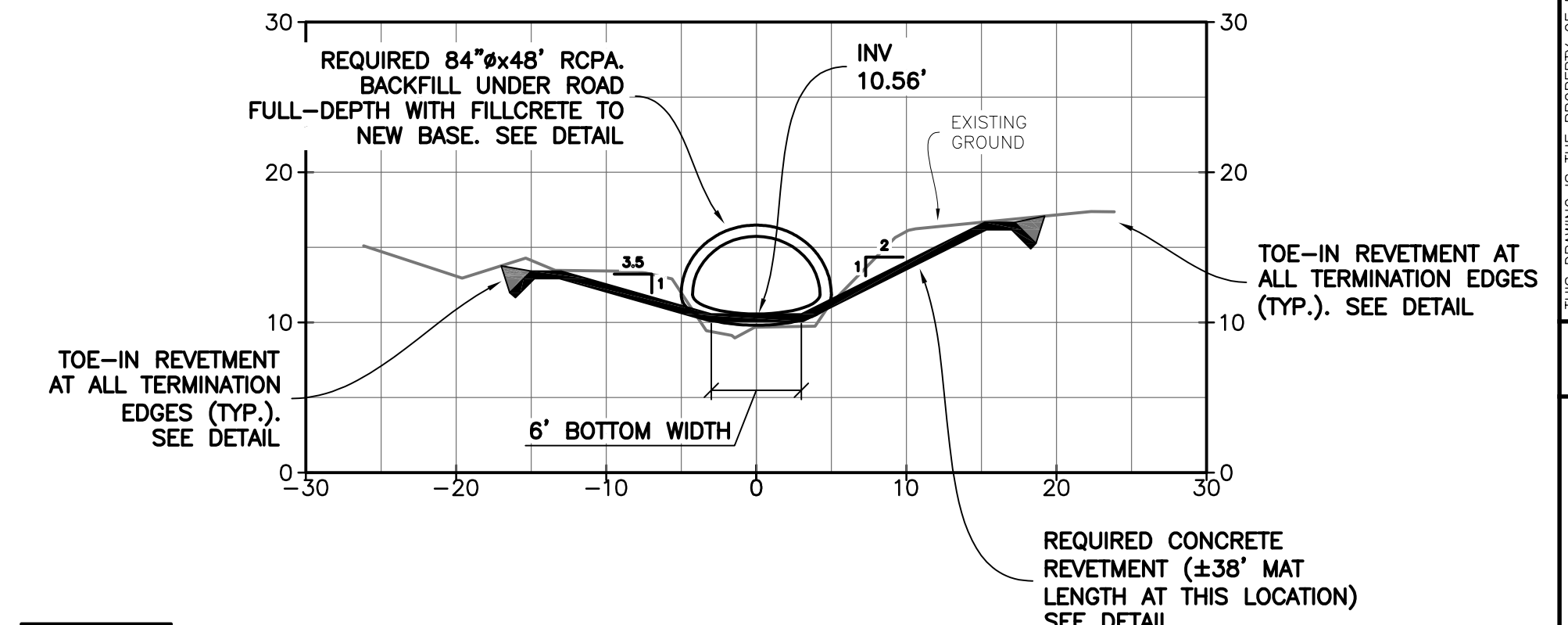
2/23/2021 8:27 AM



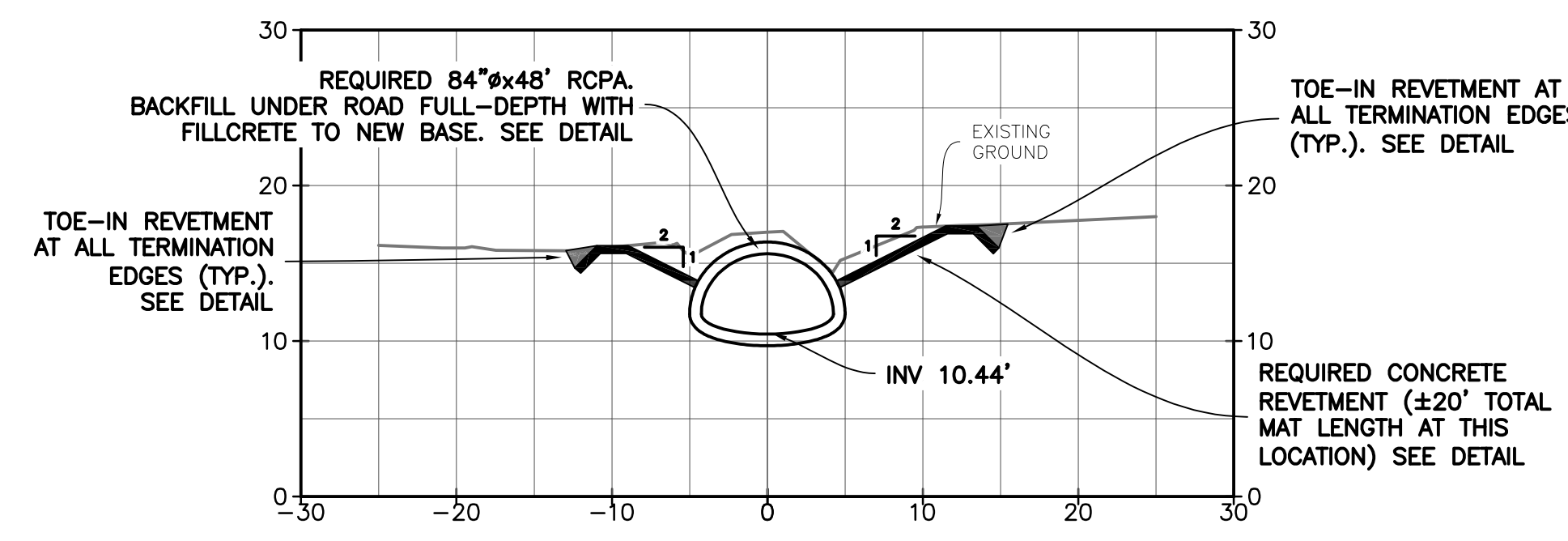
7a CROSS SECTION: A-A



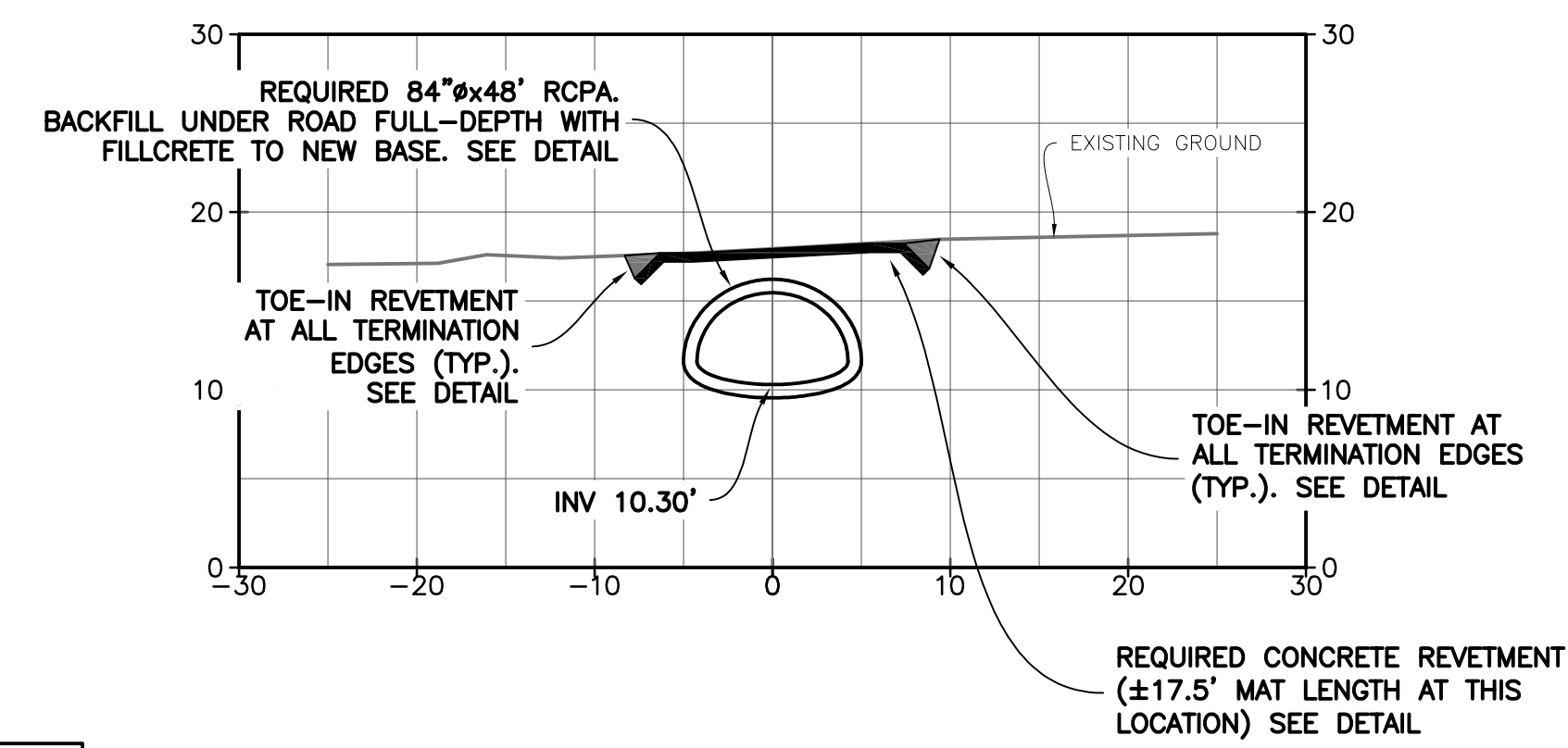
7b CROSS SECTION: B-B



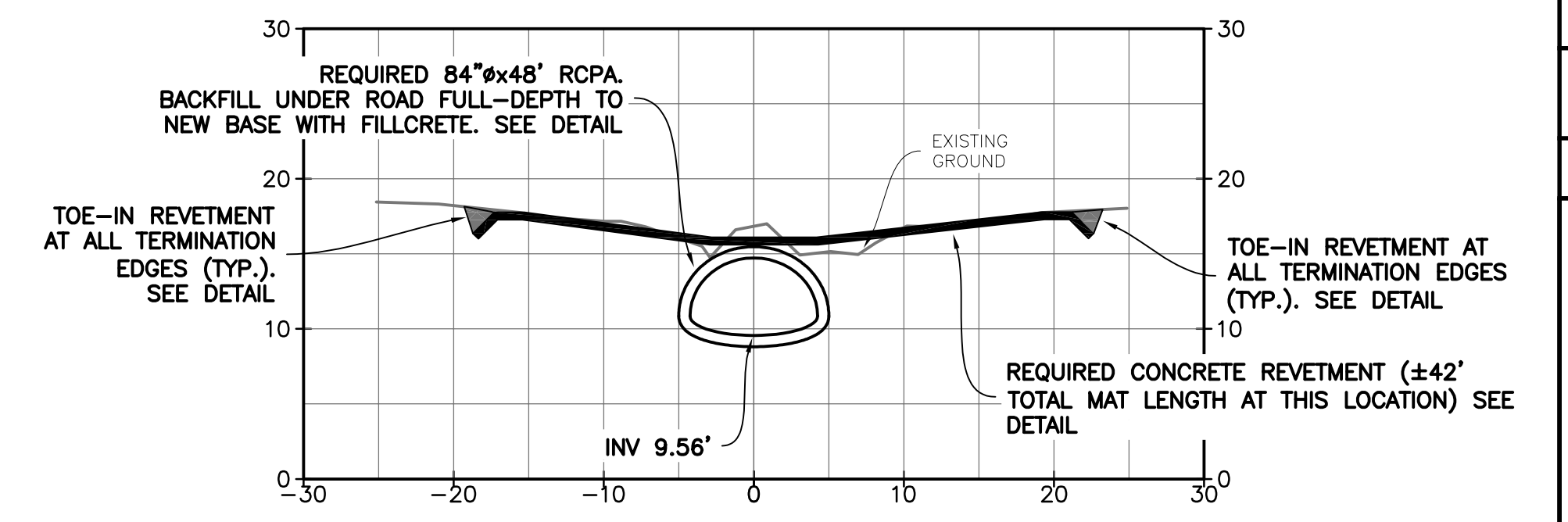
7c CROSS SECTION: C-C



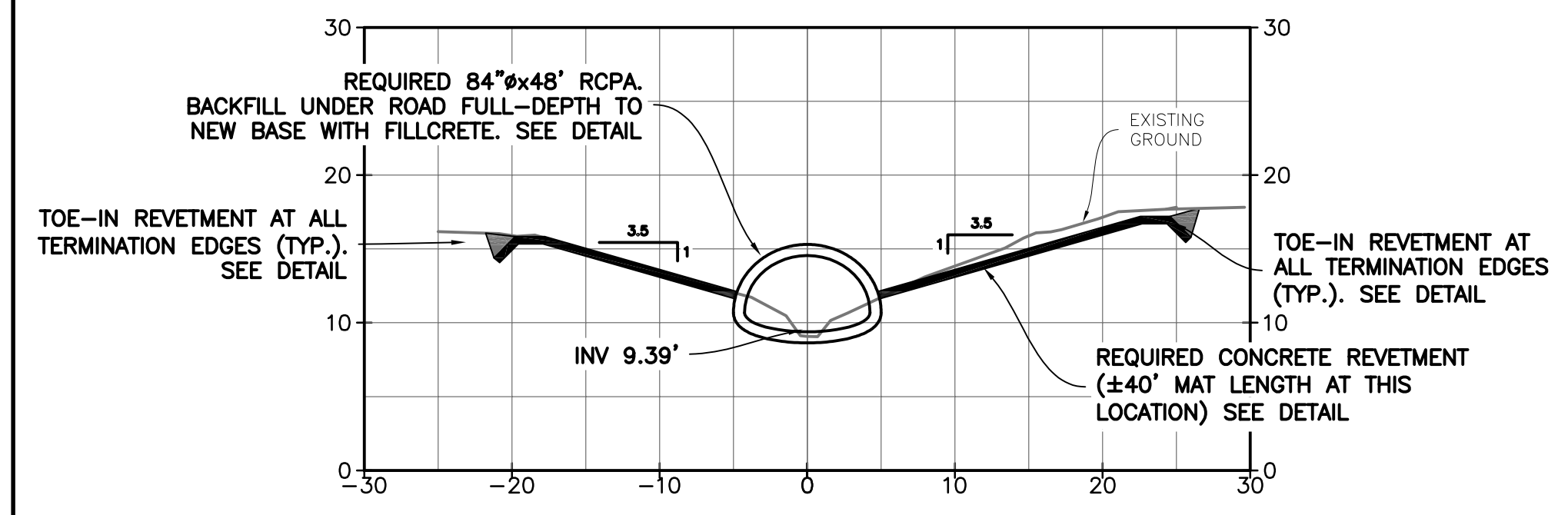
7d CROSS SECTION: D-D



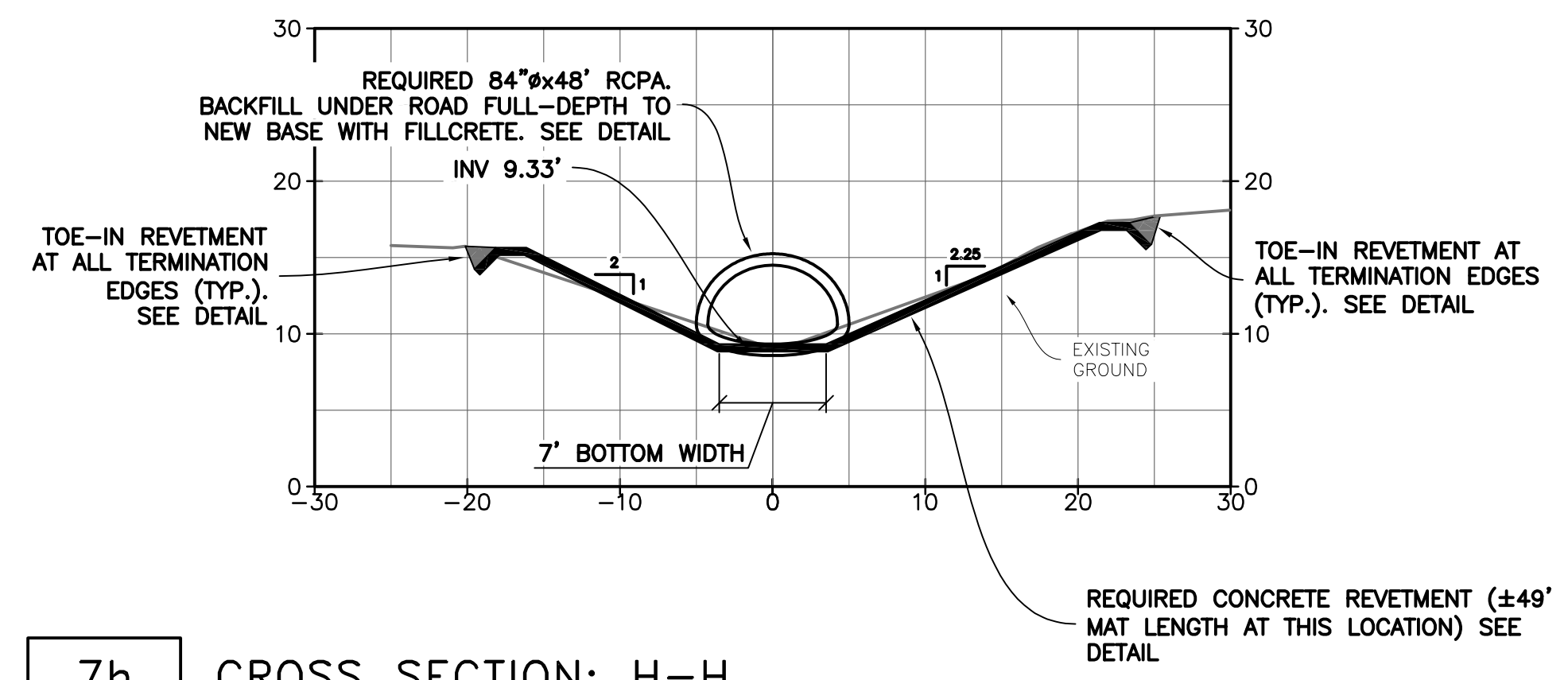
7e CROSS SECTION: E-E



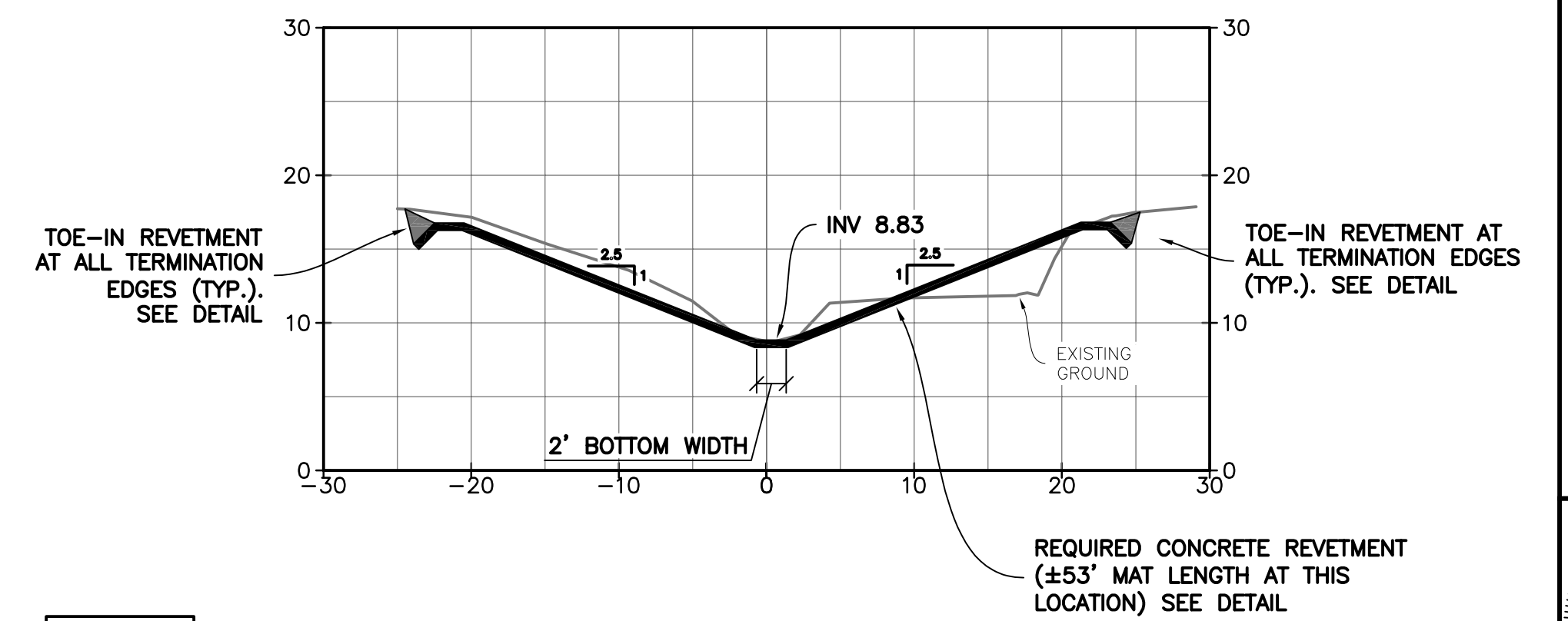
7f CROSS SECTION: F-F



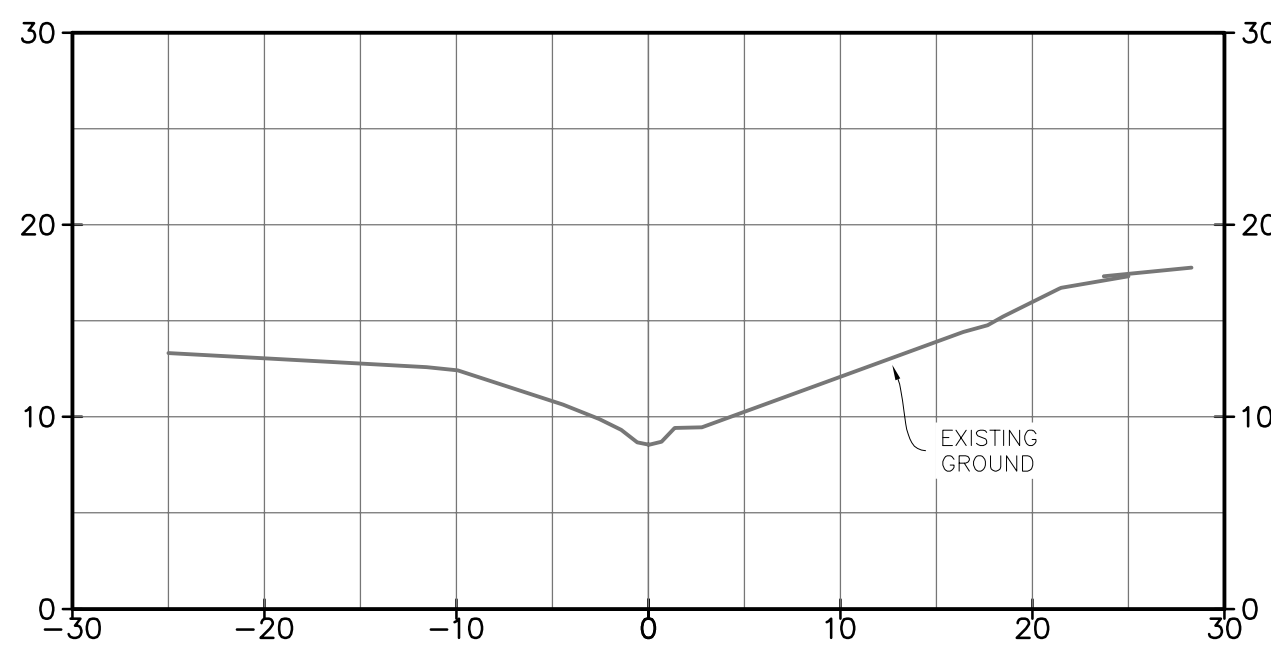
7g CROSS SECTION: G-G



7h CROSS SECTION: H-H



7i CROSS SECTION: I-I

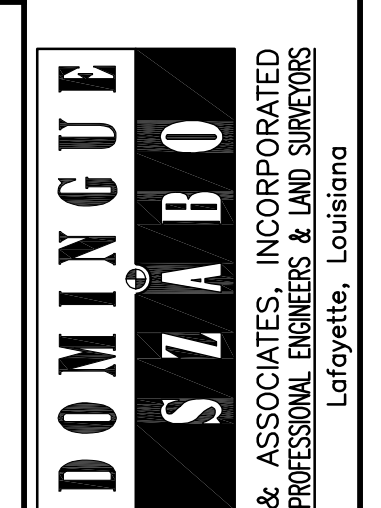
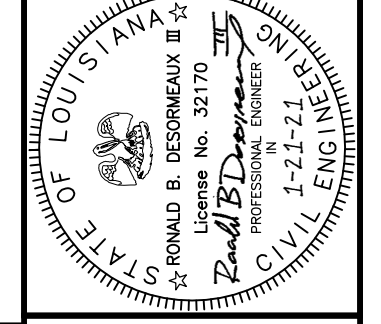


7j CROSS SECTION: J-J

THIS DRAWING IS THE PROPERTY OF DOMINGUE SZABO & ASSOCIATES, INC. AND SHALL NOT BE USED FOR ANY OTHER PROJECT WITHOUT THE WRITTEN CONSENT OF DOMINGUE SZABO & ASSOCIATES, INC. ANY REUSE OR ADAPTATION OF THIS DRAWING OTHER THAN FOR ITS INTENDED PURPOSE, ALL RIGHTS RESERVED. ©2021 DOMINGUE SZABO & ASSOCIATES, INC.

No.	Date	By
1	2/23/21	ADDENDUM 1 - Change culvert to RCPA
REVISIONS		

CITY OF BREAUX BRIDGE  
LATOLAIS STREET ROAD RECONSTRUCTION  
CROSS SECTIONS



Designed	RBD
Drawn	BMH
Checked	RBD
Approved	RBD
JANUARY 2021	
Scale	1"=10'
File No.	4878.02-P-1
Sheet	7 REV 1

APPROVED FOR CONSTRUCTION

S:\4878.00\4878.02\Plans\4878.02\_Site\_Plans\_ADDEN 1\_RCPA.dwg